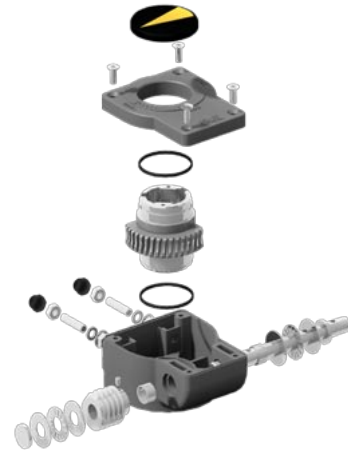


## Description

Quarter turn gearbox handoperated with cast aluminium housing  
Polyurethane coated

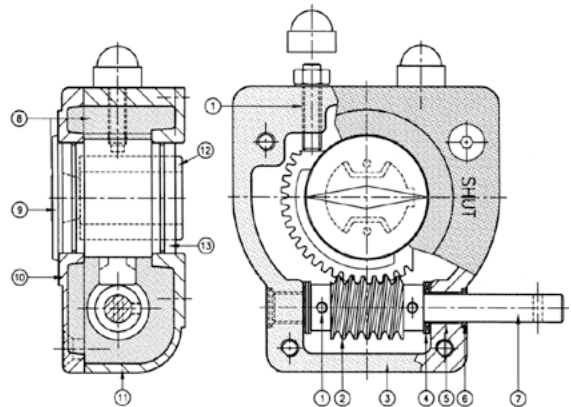
## Product features

- Valve connection            Mounting face for valves according to EN ISO 5211
- Torque                         125 - 1500 Nm
- Temperature range        -20°C ÷ +120°C
- Stroke                         0-90° (±5° adjustable)
- Lubrication                 Factory lubricated for the life of actuator under normal working conditions
- Protection class            IP65



## Construction

1	Set screw	Steel 8.8
2	Worm	Steel C45
3	Gasket	NBR
4	Needle bearing	
5	Plain bearing	Permaglide
6	Seal ring	Nitrile
7	Shaft	Stainless steel
8	Grease	Multipurpose EP2
9	Position indicator	Polypropylene
10	Coverplate	Aluminium AL231
11	Body	Aluminium AL231
12	Insert	Sintered steel
13	Quadrant	GGG40

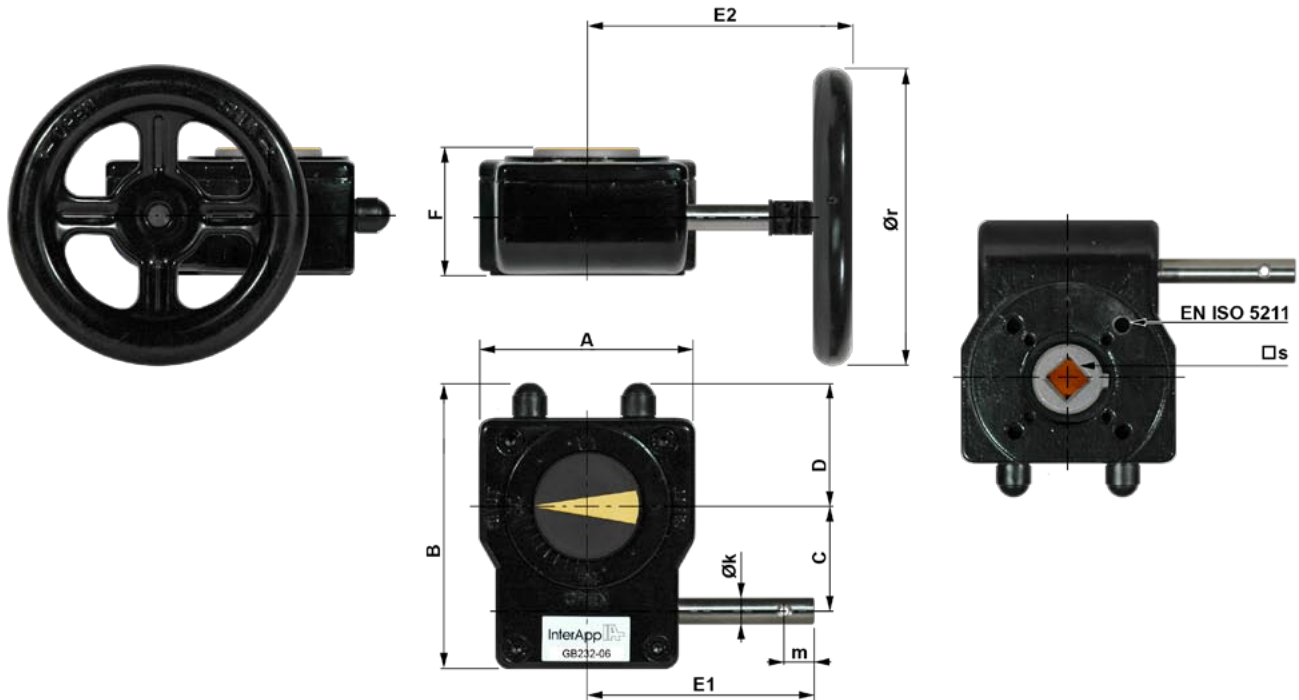


## Type code

<b>GB232-05</b>	<b>F05-F07</b>	<b>14</b>	<b>100</b>
<b>1</b>	<b>2</b>	<b>3</b>	<b>4</b>

<b>1 Actuator size</b>	<b>GB232-05</b>	125 Nm
	<b>GB232-06</b>	250 Nm
	<b>GB232-08</b>	500 Nm
	<b>GB232-13</b>	1000 Nm
	<b>GB232-14</b>	1500 Nm
<b>2 Mounting face for valve</b>	<b>F05 - F14</b>	according to EN ISO5211
<b>3 Shaft connection</b>	<b>[mm]</b>	Dimension of shaft connection
<b>4 Handwheel diameter</b>	<b>[mm]</b>	

## Dimensions



	EN ISO5211	□s	Ør	Md max	A	B	C	D	E1	E2	F	Øk	m	n*	[kg]
GB232-05	F05-F07	11 / 14	100	125 Nm	80	114	42,5	48	105	121	53	12	14	10	0,8
			160							129					
GB232-06	F05-F07	14 / 17	160	250 Nm	80	114	42,5	48	155	179	59	12	14	10	0,9
GB232-08	F07-F10	17 / 22	250	500 Nm	100	131	50	56	170	209	67	12	14	9,25	1,55
GB232-13	F10-F12 / F14	22 / 27	300	720 Nm	175	209	80	83	280	361	84	20	24	10	5,4
			400	960 Nm						376					
			500	1000 Nm						396					
GB232-14	F10-F12 / F14	22 / 27 / Ø45	500	1200 Nm	175	209	80	83	280	396	84	20	24	10	5,4
			600	1440 Nm						396					
			700	1500 Nm						396					

\* n = Handwheel turns ON/OFF

### Maintenance:

The actuators are factory lubricated for the life of the actuator under normal working conditions. The standard lubricant is suitable for use from - 20°C to + 120°C.

### Storage:

The actuator should always be stored free from dust and humidity.

<b>InterApp AG</b> Grundstrasse 24 CH-6343 Rotkreuz Phone +41 (0) 41 7982233 Fax +41 (0) 41 7982234 info@ch.interapp.net	<b>InterApp Germany</b> AVK Mittelmänn Armaturen Schillerstrasse 50 D-42489 Wülfrath Phone +49 (0) 2058 901 01 Fax +49 (0) 2058 901 110 info@avkmittelmann.com	<b>InterApp Austria</b> Kolpingstrasse 19 A-1230 Wien Phone +43 (0) 1 6162371-0 Fax +43 (0) 1 6162371-99 info@at.interapp.net	<b>InterApp Italy</b> Via Gramsci 29 I-20016 Pero (MI) Phone +39 02 339371 Fax +39 02 33937200 info@it.interapp.net	<b>InterApp Válvulas</b> Calderón de la Barca 12 E-28860 Paracuellos de Jarama Phone +34 (0) 91 6584360 Fax +34 (0) 91 6581430 info@es.interapp.net	<b>AVK Válvulas</b> Poligono Industrial Francolí, parcela 27 E-46006 Tarragona Phone +34 977 543 008 Fax +34 977 541 622 avk@avkvalvulas.com	<b>InterApp Singapore</b> 11, Changi North Street 1, #03-11 Singapore 498823 Phone +65 62141048 Fax +65 62140481 info@sg.interapp.net
---	--	--	--	--	--	--

The technical data are noncommittal and do not assure you of any properties. Please refer to our general sales conditions. Modifications without notice.

© 2009 InterApp AG, all rights reserved